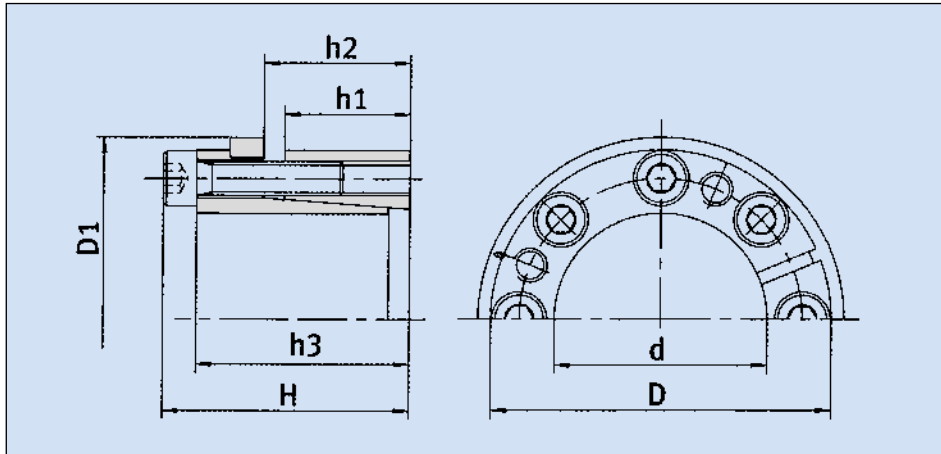


# Hakon®-Spannsätze Baureihe 132



Baugleich mit BR 131

Zusätzlich mit Anschlagring zur axialen Fixierung der Nabe.

Kennzeichen:

- Selbstzentrierend
- Axiale Fixierung der Nabe während der Montage (Anschlagring auch einzeln lieferbar)

## Abmessungen / Technische Daten

Artikel-Nr. Ketten Fuchs	Abmessungen in mm						Anzahl Stück	Spannschrauben		Dreh- moment $M_t$ Nm	Übertragungswerte			Gewicht kg
	Größe $d \times D$	$D_1$	$h_1$	$h_2$	$h_3$	H		Größe M	$M_d$ Nm		Axial- Kraft $F_{ax}$ kN	Flächen- Druck $P_{VV}$ N/mm <sup>2</sup>	Nabe $P_N$ N/mm <sup>2</sup>	
132-1847	18×47	53,0	26,0	31,0	42,0	48,0	6	M6×25	17	303	33	201	77	0,48
132-1947	19×47	53,0	26,0	31,0	42,0	48,0	6	M6×25	17	320	33	191	77	0,45
132-2047	20×47	53,0	26,0	31,0	42,0	48,0	6	M6×25	17	337	33	181	77	0,42
132-2247	22×47	53,0	26,0	31,0	42,0	48,0	6	M6×25	17	371	33	165	77	0,40
132-2450	24×50	56,0	26,0	31,0	42,0	48,0	6	M6×25	17	405	33	151	72	0,44
132-2550	25×50	56,0	26,0	31,0	42,0	48,0	6	M6×25	17	421	33	145	72	0,43
132-2855	28×55	61,0	26,0	31,0	42,0	48,0	6	M6×25	17	472	33	129	66	0,52
132-3055	30×55	61,0	26,0	31,0	42,0	48,0	6	M6×25	17	506	33	121	66	0,52
132-3260	32×60	66,0	26,0	31,0	42,0	48,0	8	M6×25	17	719	44	151	80	0,59
132-3560	35×60	66,0	26,0	31,0	42,0	48,0	8	M6×25	17	787	44	138	80	0,55
132-3865	38×65	71,0	26,0	31,0	42,0	48,0	8	M6×25	17	854	44	127	74	0,64
132-4065	40×65	71,0	26,0	31,0	42,0	48,0	8	M6×25	17	899	44	121	74	0,61
132-4275	42×75	81,0	30,0	36,0	50,0	58,0	6	M8×30	41	1280	60	135	76	1,09
132-4575	45×75	81,0	30,0	36,0	50,0	58,0	6	M8×30	41	1372	60	126	76	1,03
132-4880	48×80	86,0	30,0	36,0	50,0	58,0	8	M8×30	41	1951	80	158	95	1,17
132-5080	50×80	86,0	30,0	36,0	50,0	58,0	8	M8×30	41	2033	80	151	95	1,12
132-5585	55×85	91,0	30,0	36,0	50,0	58,0	8	M8×30	41	2236	80	138	89	1,20
132-6090	60×90	96,0	30,0	36,0	50,0	58,0	8	M8×30	41	2439	80	126	84	1,29
132-6595	65×95	101,0	30,0	36,0	50,0	58,0	8	M8×30	41	2642	80	116	80	1,38
132-70110	70×110	119,0	40,0	46,0	60,0	70,0	8	M10×30	83	4608	130	131	84	2,47
132-75115	75×115	124,0	40,0	46,0	60,0	70,0	8	M10×30	83	4937	130	123	80	2,59
132-80120	80×120	129,0	40,0	46,0	60,0	70,0	8	M10×30	83	5267	130	115	77	2,73
132-85125	85×125	134,0	40,0	46,0	60,0	70,0	10	M10×30	83	6995	163	135	92	2,81
132-90130	90×130	139,0	40,0	46,0	60,0	70,0	10	M10×30	83	7406	163	128	88	2,98
132-95135	95×135	144,0	40,0	46,0	60,0	70,0	10	M10×30	83	7818	163	121	85	3,12
132-100145	100×145	155,0	45,0	52,0	68,0	80,0	8	M12×35	145	9584	190	119	82	4,16
132-110155	110×155	165,0	45,0	52,0	68,0	80,0	8	M12×35	145	10543	190	108	77	4,51
132-120165	120×165	175,0	45,0	52,0	68,0	80,0	10	M12×35	145	14376	237	124	90	4,86
132-130180	130×180	188,0	45,0	52,0	68,0	80,0	12	M12×35	145	18689	284	137	99	5,87
132-140190	140×190	199,0	50,0	58,5	76,0	90,0	10	M14×40	230	22804	322	130	96	6,93
132-150200	150×200	209,0	50,0	58,5	76,0	90,0	12	M14×40	230	29319	387	146	109	7,65
132-160210	160×210	219,0	50,0	58,5	76,0	90,0	12	M14×40	230	31274	387	136	104	8,38
132-170225	170×225	234,0	50,0	58,5	76,0	90,0	14	M14×40	230	38766	451	150	113	9,17
132-180235	180×235	244,0	50,0	58,5	76,0	90,0	14	M14×40	230	41047	451	141	108	10,08
132-190250	190×250	259,0	50,0	58,5	76,0	90,0	15	M14×40	230	46422	484	144	109	11,02
132-200260	200×260	269,0	50,0	58,5	76,0	90,0	15	M14×40	230	48865	484	136	105	12,10